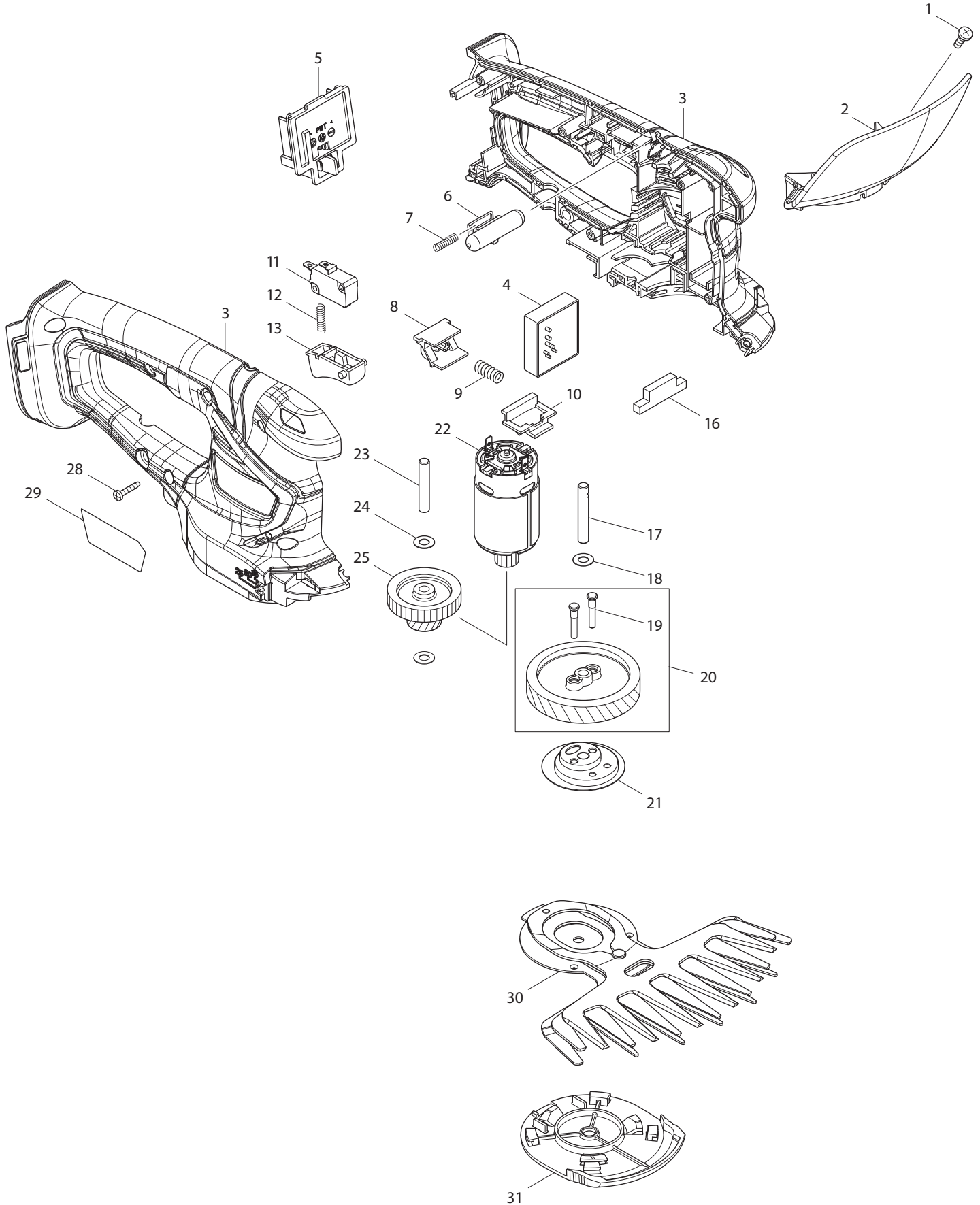




02 - 2017  
DUM604Z  
18V LXT 6-5/16" Grass Shear



Item No	Type	Sub	Part No	Description	Qty	Unit
001			915116-7	BINDING HEAD SCREW M4X12	1	PC.
002	1		144495-8	PROTECTOR COMPLETE	1	PC.
		INC.	812G28-6	CAUTION LABEL	1	PC.
	2		140V98-8	PROTECTOR COMPLETE	1	PC.
		INC.	812G28-6	CAUTION LABEL	1	PC.
003			183G03-2	HOUSING SET	1	SET
		INC.	931102-0	HEX NUT M4	1	PC.
		INC.	263005-3	RUBBER PIN 6	2	PC.
		INC.	346275-0	PLATE	2	PC.
004			620647-0	CONTROLLER	1	PC.
005			643852-2	TERMINAL	1	PC.
006			452438-9	LOCK OFF BUTTON	1	PC.
007			231473-8	COMPRESSION SPRING 4	1	PC.
008			457534-8	SLIDE PLATE	1	PC.
009			234339-1	COMPRESSION SPRING 6	1	PC.
010			454879-5	LOCK LEVER	1	PC.
011			650744-8	SWITCH D3V-16-3C26	1	PC.
012			231473-8	COMPRESSION SPRING 4	1	PC.
013			417564-1	SWITCH LEVER	1	PC.
016			451814-4	DUST GUARD	1	PC.
017			268254-7	PIN 6	1	PC.
018			253715-0	FLAT WASHER 6	1	PC.
019			268256-3	PIN 4	2	PC.
020			135883-0	HELICAL GEAR 47 ASSY	1	PC.
		INC.		Item No. 19		
021			161598-3	CRANK COMPLETE	1	PC.
022			629943-3	DC MOTOR	1	PC.
023			268076-5	PIN 6	1	PC.
024			253715-0	FLAT WASHER 6	2	PC.
025			226831-1	GEAR 12-31	1	PC.
028			266429-2	TAPPING SCREW M3X16	6	PC.
029			853A12-6	NAME PLATE F/DUM604	1	PC.
030	1		195176-7	SHEAR BLADE ASSEMBLY F/GRASS SHEAR	1	PC.
		INC.	188369-3	OIL VESSEL SET	1	PC.
	2		195267-4	SHEAR BLADE ASSEMBLY F/GRASS SHEAR	1	PC.
		INC.	188369-3	OIL VESSEL SET	1	PC.
031			140451-6	UNDER COVER COMPLETE	1	PC.
<b><u>ACCESSORIES</u></b>				<b>- See Catalogue or visit <a href="http://www.makita.ca">www.makita.ca</a> for more accessories -</b>		
A01			452055-5	BLADE COVER, GRASS SHEAR	1	PC.
A02			457426-1	GRASS RECEIVER 160	1	PC.
A03B	1		198409-9	SHEAR BLADE ASSEMBLY F/HEDGE TRIMMER	1	PC.
	2		198408-1	SHEAR BLADE ASSEMBLY F/HEDGE TRIMMER	1	PC.
A04B			198402-3	CHIP RECEIVER SET	1	PC.
				STORAGE CASE F/BLADE, CHIP RECEIVER, BLADE		
A09B			452198-3	COVER	1	PC.
A10B			451816-0	BLADE COVER, HEDGE TRIMMER - BULK	1	PC.
A10B			195274-7	BLADE COVER, HEDGE TRIMMER - PKG	1	PC.
A11			198486-1	LONG HANDLE ATTACHMENT SET	1	PC.
A12			-----	18V LI-ION BATTERY		
A13			-----	BATTERY CHARGER		
A14			-----	LI-ION BATTERY ACCESSORIES		
A15			195269-0	ACCESSORY SET F/GRASS SHEAR	1	PC.
		INC.	325896-1	BASE FRAME	1	PC.
		INC.	451813-6	CHANGE LEVER	1	PC.
		INC.	452055-5	BLADE COVER	1	PC.